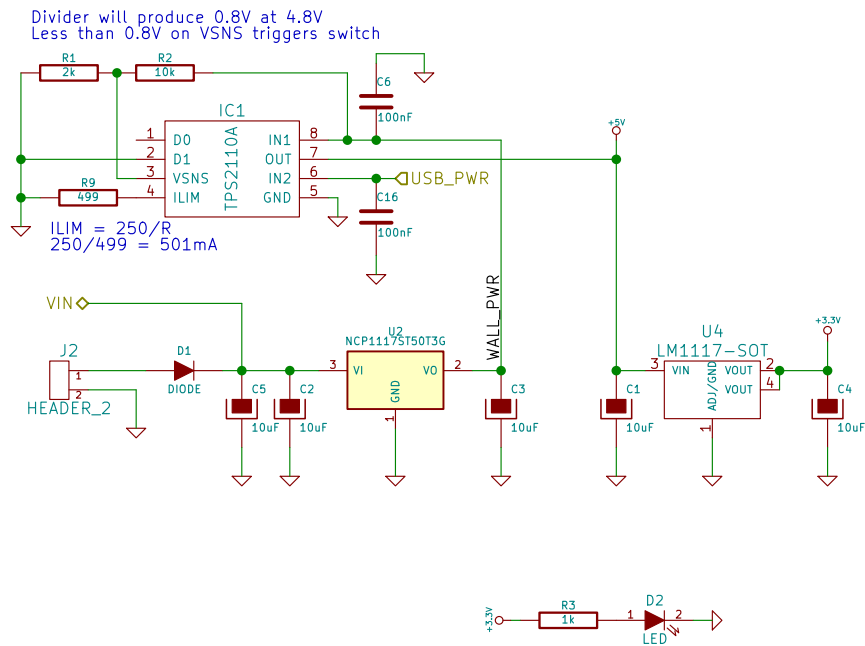
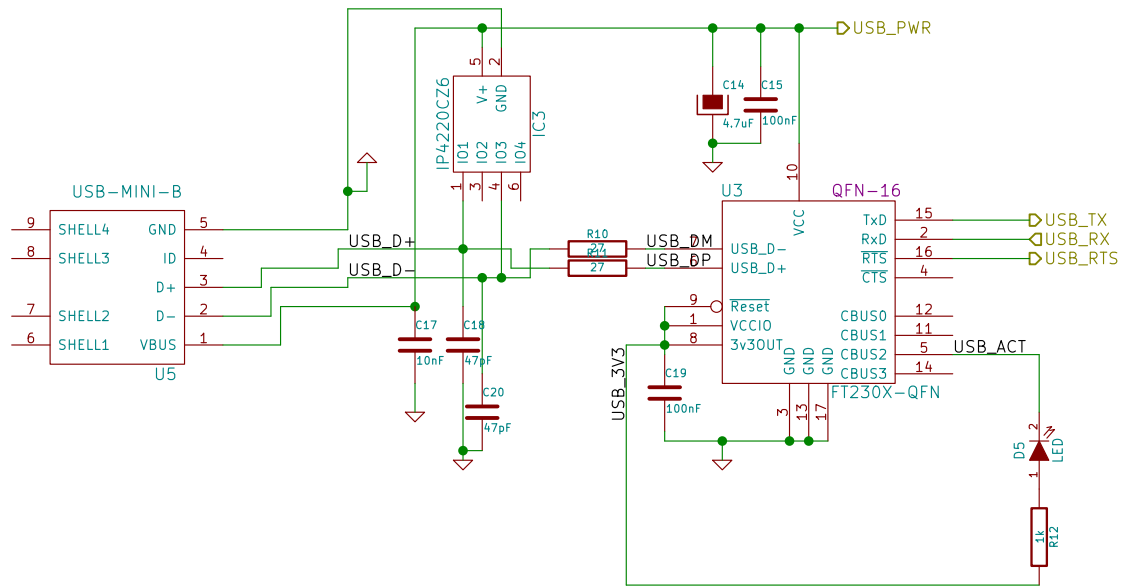


| | | |
|----------------------------------------------------|--------------------------------|----------|
| CC-NZ-3.0 BY-SA | | |
| hairy.geek.nz | | |
| File: | | |
| Sheet: /home/dave2/kicad/kakapo r2.2/kakapo-r2.sch | | |
| Title: Kakapo XMEGA Dev Board | | |
| Size: A4 | Date: 17 May 2014 | Rev: 2.2 |
| KiCad E.D.A. | eeschema (2013-mar-13)-testing | Id: 1/3 |



| | | |
|-------------------------------|--------------------------------|----------|
| CC-NZ-3.0 BY-SA | | |
| hairy.geek.nz | | |
| File: | | |
| Sheet: kakapo-r2-power.sch | | |
| Title: Kakapo XMEGA Dev Board | | |
| Size: A4 | Date: 17 May 2014 | Rev: 2.2 |
| KiCad E.D.A. | eeschema (2013-mar-13)-testing | Id: 2/3 |



| | | |
|-------------------------------|--------------------------------|----------|
| CC-NZ-3.0 BY-SA | | |
| hairy.geek.nz | | |
| File: | | |
| Sheet: kakapo-r2-usb.sch | | |
| Title: Kakapo XMEGA Dev Board | | |
| Size: A4 | Date: 17 May 2014 | Rev: 2.2 |
| KiCad E.D.A. | eeschema (2013-mar-13)-testing | Id: 3/3 |